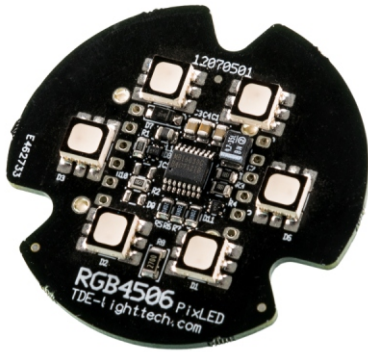




RGB4506 PIXLED



The RGB4506 is a modular LED pixel system, a solid-state design with six high intense RGB LED's. With an ultra-high visual refresh rate (patented technology) this led module is extremely suitable for studio applications.

Multiple RGB4506 PixLED modules can be daisy chain connected to create larger visual effects.

The specially designed AD-UDR1 Dynamic LED driver can be controlled with DMX512 or E:PIX protocol

Features

Dynamic

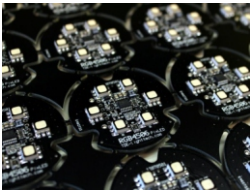
Individual RGB control

Better gradient effect

16 bit colour depth

Studio application

ultra high refresh rate



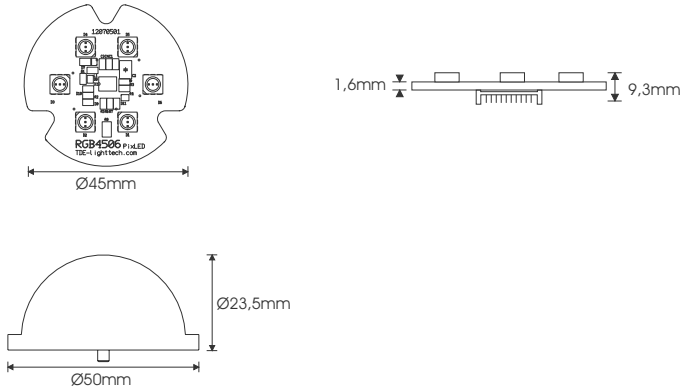
Technical specifications

LED	Colour: Lumen output: LED's per module:	RGB 45 6
Power	Power: Consumption : Maximum length:	24VDC 1,5W 100 pixels on double sided power supply
Miscellaneous	Lifespan: Module dimension: Optics:	50.000 hour Ø45mm Opal dome
Control	Control interface:	AD-UDR1 Dynamic led driver (DMX512 / E:PIX)



RGB4506 PIXLED

Dimensions



Wiring

The back of the Pixled RGB4506 module has two picoflex connectors to link the modules together.

Only use power supplies which can deliver a constant dc-voltage between 21~24VDC.

A maximum of 2 meters can be used for connecting the module.

Order Code

RGB4506 - RGB4506 Pixled with dome; 6 RGB LED;s 45mm; 24VDC;

Order Code Accessoires

230.90.07 - Connecting cable 2 mtr. AD-UDR1 -> RGB4506

AD-UDR1 Driver connection

In order to connect a RGB4506 PixLED module on to the AD-UDR1 Dynamic LED driver picoflex cable is needed. See below connections for picoflex cable.

Please note that the RGB4506 PixLED module is polarity sensitive. Connection cable cannot be longer than than 2 meters.

