



# Moodspot TW2000



The Moodspot is a Tunable White LED spot which instantly alters the emotional experience of a space. By dynamically adjusting its colour temperature anywhere between neutral white (4000K) to very warm white (1400K), you can transform the ambience of a room.

Perfectly mimicking halogen style dimming, the Moodspot embraces the black body curve while dimming smoothly and flicker free down to 0%. In addition this new technology allows you to respond to changing demands in lighting requirements or design without replacing fixtures.

## Features

**High lumen output**  
2000 lumen

**Tunable White**  
4000K~1400K

**Perfect dimmable**  
100-0%

**Lifespan**  
50.000+ hours

## Technical specifications

### LED

Colour temperature:	4000K~1400K
Colour rendering:	CRI>90 (3000K)
Lumen output:	2000 lumen (3000K)

### Power

Power:	48VDC IZI-Link
Consumption:	34 Watt
Efficiency LED driver:	>90%

### Accessories

Flanges:	Round
Flange colours:	White / Black

### Miscellaneous

Material:	Aluminium + PMMA
Lifespan:	50.000 hour
Lenses:	13° / 20° / 35° / 45°
Versions:	Track / Pendant / Recessed / Bracket
Pendant cable:	Two core with reinforced steel

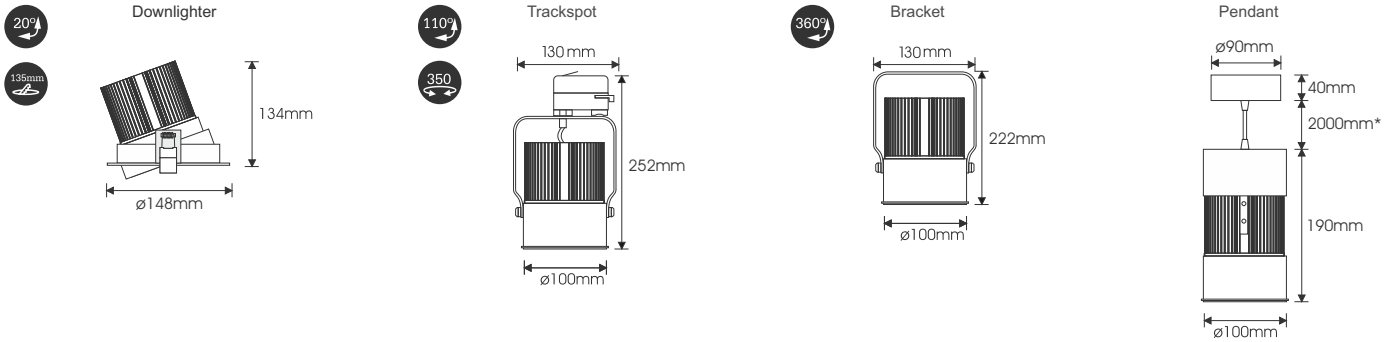
### Control

External driver options:	IZI-Link / DMX512
--------------------------	-------------------



# Moodspot TW2000

## Dimensions



\*other length available on special request

## Order Code

- MO2.20.R.B - Recessed Adjustable Moodspot IZI; TW2000; Black Flange
- MO2.20.R.W - Recessed Adjustable Moodspot IZI; TW2000; White Flange
- MO2.20.B.B - Bracket Moodspot IZI; TW2000; Black Flange\*
- MO2.20.P.B - Pendant Moodspot IZI; TW2000; Black Flange\*
- MO2.20.T.B - Track Moodspot IZI; Tw2000; 3 Phase adapter Black\*

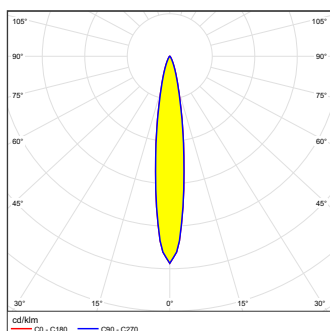
\* Other flange colours available on special request

## Order Code Optics

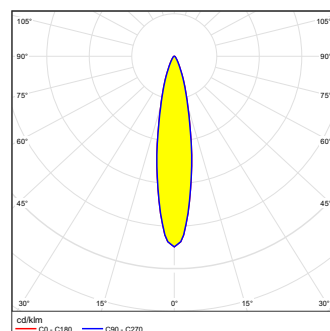
- MO2.20C.13 - Lens 13° for Moodspot TW2000
- MO2.20C.20 - Lens 20° for Moodspot TW2000
- MO2.20C.35 - Lens 35° for Moodspot TW2000
- MO2.20C.45 - Lens 45° for Moodspot TW2000

## Photometric data

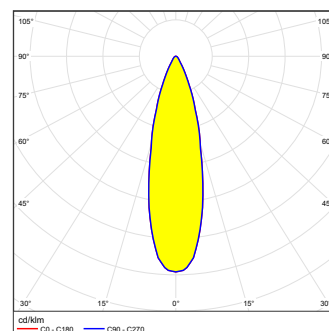
Polar chart 13° optic



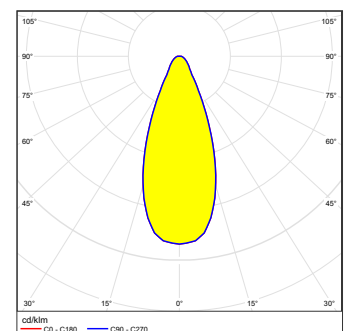
Polar chart 20° optic



Polar chart 35° optic



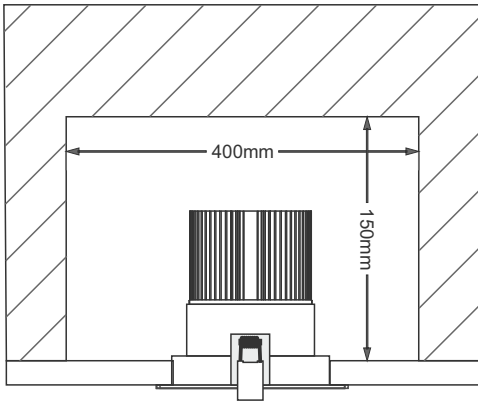
Polar chart 45° optic





# Moodspot TW2000

## Minimum Spacings

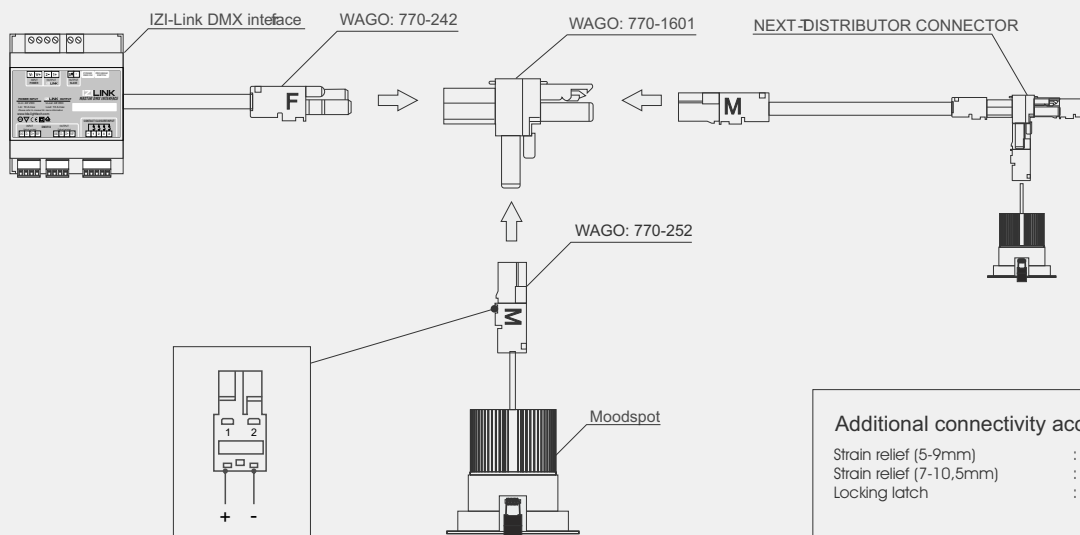
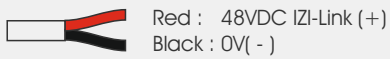


Luminaire not suitable for covering with thermal insulating materials. Allow air to flow freely around fixture.

## Connection IZI-Link

The following connection overview is a simplified overview of the system. For more details about the IZI-Link system visit our website.

The Moodspot led spot is prepared with a two wired cable.



Additional connectivity accessories	
Strain relief (5-9mm)	: WAGO 770-502/042-000
Strain relief (7-10,5mm)	: WAGO 770-502/042-000
Locking latch	: WAGO 770-101