



Moodspot RGBW



The Moodspot RGBW is capable of creating vibrant colours that can transform the visual impact of a space. The special designed internal driver of the Moodspot RGBW, allows smooth flicker-free dimming from 100-0%. The Moodspot RGBW is available in different versions and offers multiple beam angles.

Features

Vivid colours
RGBW

Extra white
5500K

Perfect dimmable
100-0%

Lifespan
50.000+ hours

Technical specifications

LED

Colour:	RGBW
Colour temperature white:	5500K
Colour rendering:	75
Lumen output:	1350 lumen (Full RGBW)

Power

Power:	48VDC IZI-Link
Consumption:	40 Watt
Efficiency LED driver:	>90%

Accessories

Flanges:	Round
Flange colours:	White / Black

Miscellaneous

Material:	Aluminium + PMMA
Lifespan:	50.000 hour
Lenses:	13° / 20° / 35° / 45°
Versions:	Track / Pendant / Recessed / Bracket
Pendant cable:	Two core with reinforced steel

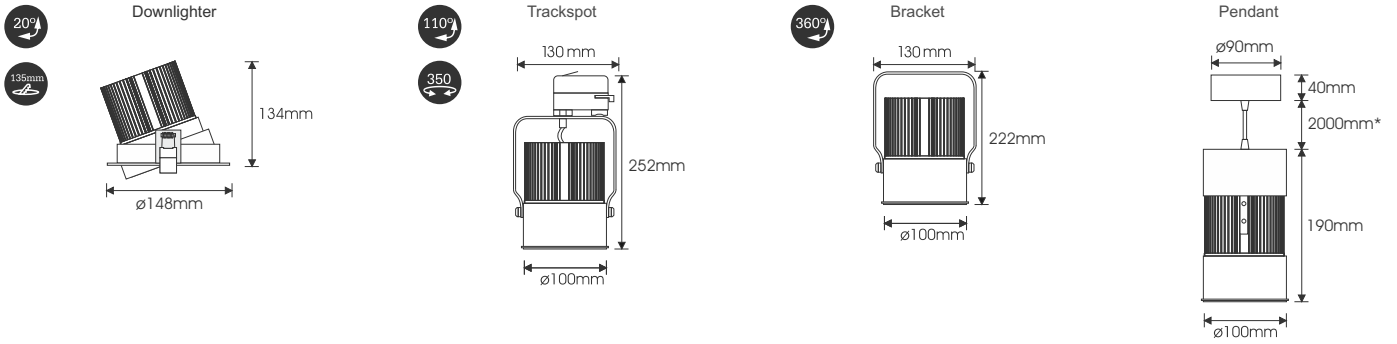
Control

External driver options:	IZI-Link / DMX512
--------------------------	-------------------



Moodspot RGBW

Dimensions



*other length available on special request

Order Code

- MO2.C.R.B - Recessed Adjustable Moodspot IZI; RGBW; Black Flange
- MO2.C.R.W - Recessed Adjustable Moodspot IZI; RGBW; White Flange
- MO2.C.B.B - Bracket Moodspot IZI; RGBW; Black Flange*
- MO2.C.PB - Pendant Moodspot IZI; RGBW; Black Flange*
- MO2.C.T.B - Track Moodspot IZI; RGBW; Black Flange*

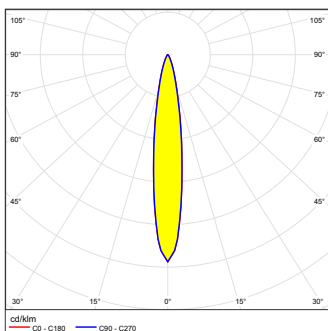
* Other flange colours available on special request

Order Code Optics

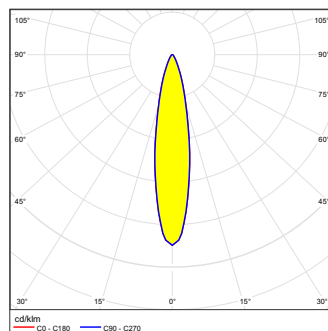
- MO2.10C.13 - Lens 13° for Moodspot TW1000 and RGBW
- MO2.10C.20 - Lens 20° for Moodspot TW1000 and RGBW
- MO2.10C.35 - Lens 35° for Moodspot TW1000 and RGBW
- MO2.10C.45 - Lens 45° for Moodspot TW1000 and RGBW

Photometric data

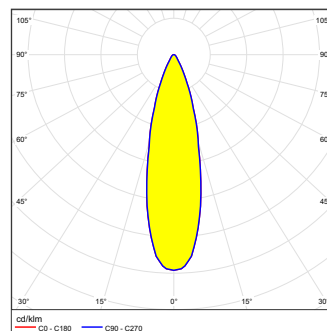
Polar chart 13° optic



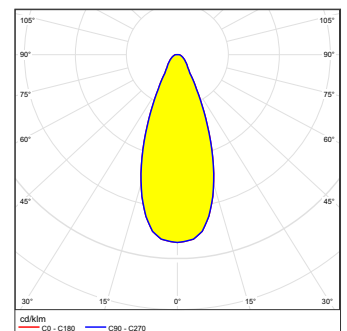
Polar chart 20° optic



Polar chart 35° optic



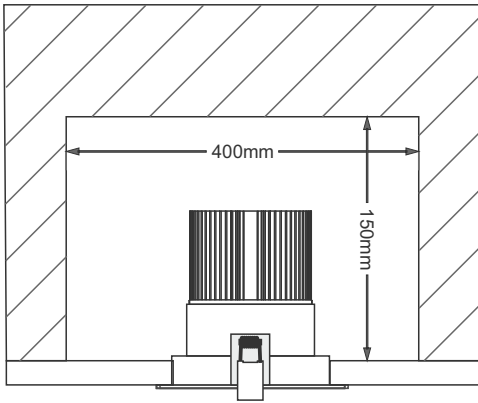
Polar chart 45° optic





Moodspot RGBW

Minimum Spacings

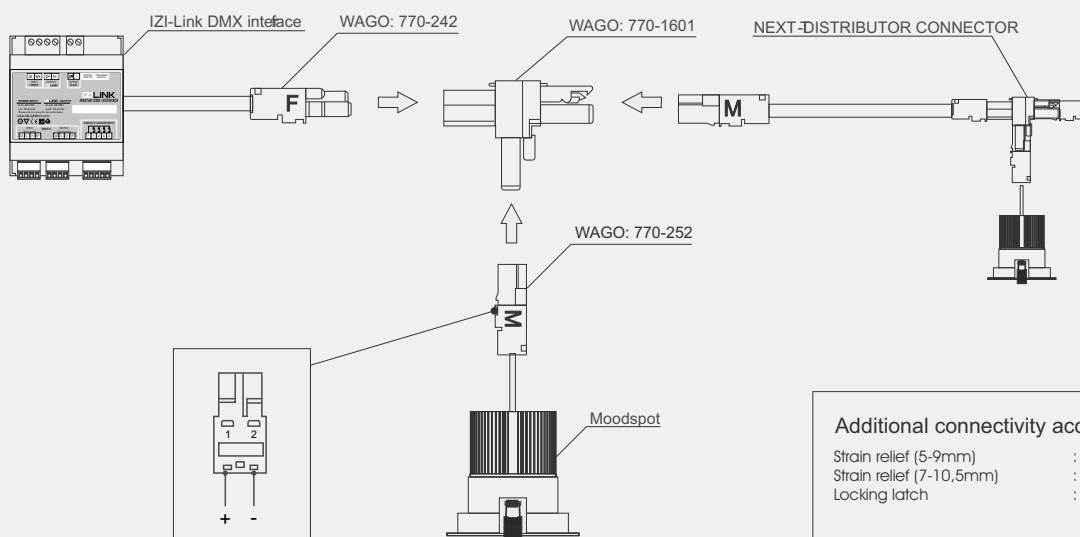
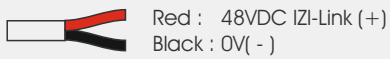


Luminaire not suitable for covering with thermal insulating materials. Allow air to flow freely around fixture.

Connection IZI-Link

The following connection overview is a simplified overview of the system. For more details about the IZI-Link system visit our website.

The Moodspot led spot is prepared with a two wired cable.



Additional connectivity accessories	
Strain relief (5-9mm)	: WAGO 770-502/042-000
Strain relief (7-10,5mm)	: WAGO 770-502/042-000
Locking latch	: WAGO 770-101