

Mini Moodspot



The Mini Moodspot is a Tunable White downlight whose colour temperature can be controlled between neutral white (4000K) to a very warm white (2200K). The latest LED technologies allows the Mini Mood Spot to be highly efficient and to generate very warm colours.

This spot is extremely suitable for application in public areas such as restaurants, bars, lobbies etc

Features

Housing

Small design

Tunable White

4000K-2200K

Perfect dimmable

100-0%

Lifespan

50.000+ hours

Technical specifications

LED

Colour temperature: 4000K - 2200K (Tunable White)
Colour rendering: CRI>82
Lumen output: 570 lumen @ 3000K

Power

Current Consumption: 4 x700mA
Consumption: 9 Watt
Forward voltage: 3,2V

Accessories

Flanges: Round
Flange colours: White / Black

Miscellaneous

Material: Aluminium
Lifespan: 50.000 hour
Lenses: 16° / 22° / 36° / 44°

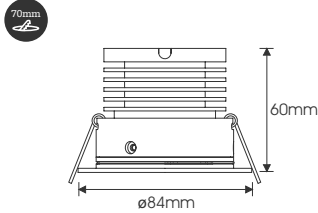
Control

External driver options: IZI-Link / DMX512



Mini Moodspot

Dimensions



Wiring

The Mini Moodspot standard is equipped with a 30cm cable with a Rj45 connector
Only use drivers which can deliver a constant current of 700mA

For custom wiring use min 90°C supply conductors. Pin out is as followed:



Order Code

MM.RO.W -Rec. Mini Moodspot; 4000K~2200K; 700mA; 9W; Round flange White;
MM.RO.B -Rec. Mini Moodspot; 4000K~2200K; 700mA; 9W; Round flange Black;

Order Code Optics

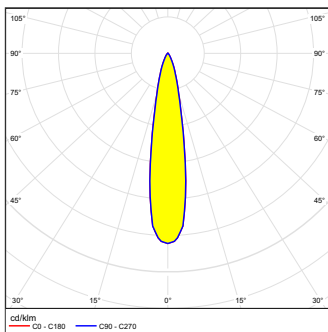
MM.C.12 - Lens 12° for Mini Moodspot
MM.C.20 - Lens 20° for Mini Moodspot
MM.C.25 - Lens 25° for Mini Moodspot
CCCMM.C.35 - Lens 35° for Mini Moodspot

Order Code Accessoires

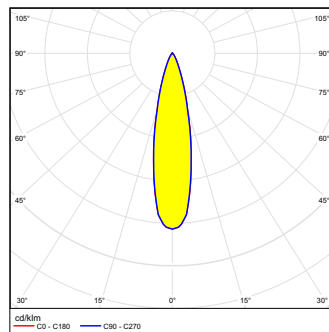
MM.F.RO.W - White flange for Mini Moodspot Round
MM.F.RO.B - Black flange for Mini Moodspot Round

Photometric data

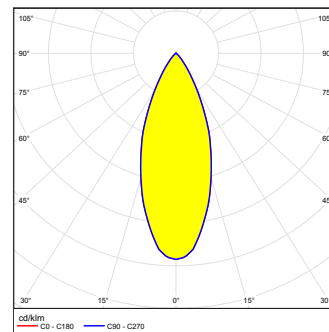
Polar chart 12° optic



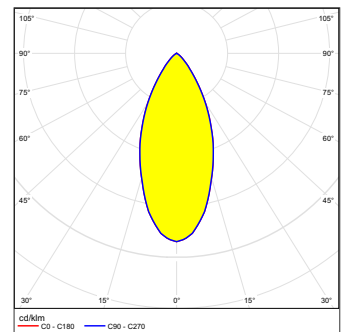
Polar chart 20° optic



Polar chart 25° optic



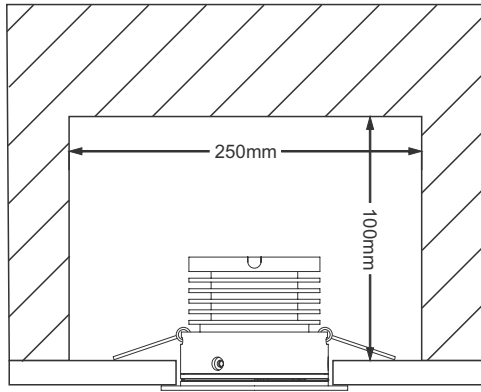
Polar chart 35° optic





Mini Moodspot

Minimum Spacings



Luminaire not suitable for covering with thermal insulating materials. Allow air to flow freely around fixture.

Connection

Maximum spots per driver is dependent on output voltage

