

# Mini Moodspot Adjustable



The Mini Moodspot is a Tunable White downlight whose colour temperature can be controlled between neutral white (4000K) to a very warm white (2200K). The latest LED technologies allows the Mini Mood Spot to be highly efficient and to generate very warm colours.

This spot is extremely suitable for application in public areas such as restaurants, bars, lobbies etc

## Features

### Housing

Small design

### Tunable White

4000K-2200K

### Perfect dimmable

100-0%

### Lifespan

50.000+ hours

## Technical specifications

### LED

Colour temperature:	4000K - 2200K (Tunable White)
Colour rendering:	CRI>82
Lumen output:	570 lumen @ 3000K

### Power

Current Consumption:	4 x 700mA
Consumption:	9 Watt
Forward voltage:	3,2V

### Accessories

Flanges:	Round / Square
Flange colours:	White / Black

### Miscellaneous

Material:	Aluminium
Lifespan:	50.000 hour
Lenses:	12° / 20° / 25° / 35°

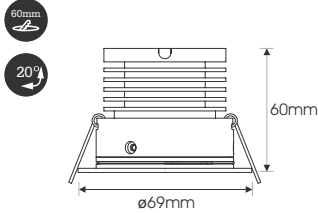
### Control

External driver options:	IZI-Link / DMX512
--------------------------	-------------------



# Mini Moodspot Adjustable

## Dimensions



## Wiring

The Mini Moodspot standard is equipped with a 30cm cable with a Rj45 connector  
Only use drivers which can deliver a constant current of 700mA

For custom wiring use min 90°C supply conductors. Pin out is as followed:



## Order Code

MM.CAST.A -Mini Moodspot Adjustable ; 4000~2200K; 700mA; 9W; 570 lm ;

## Order Code Optics

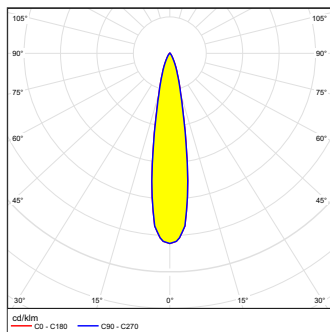
CCMM.C.12 - Lens 12° for Mini Moodspot  
 CCCMM.C.20 - Lens 20° for Mini Moodspot  
 CCCMM.C.25 - Lens 25° for Mini Moodspot  
 CCCMM.C.35 - Lens 35° for Mini Moodspot

## Order Code Accessoires

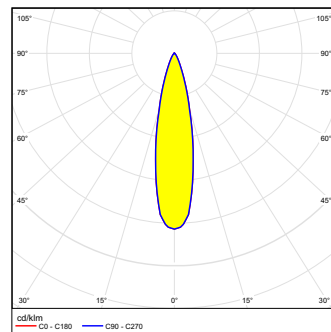
HOU.CAS.FLR.BL - Black flange round for Castor/Mini Moodspot Adj.  
 HOU.CAS.FLR.WH - White flange round for Castor/Mini Moodspot Adj.  
 HOU.CAS.FLR-G.BL - Black flange round for Castor/Mini Moodspot Adj. with glass  
 HOU.CAS.FLR-G.WH - White flange round for Castor/Mini Moodspot Adj. with glass  
 HOU.CAS.FLS.BL - Black flange square for Castor / Mini Moodspot Adj.  
 HOU.CAS.FLS.WH - White flange square for Castor / Mini Moodspot Adj.

## Photometric data

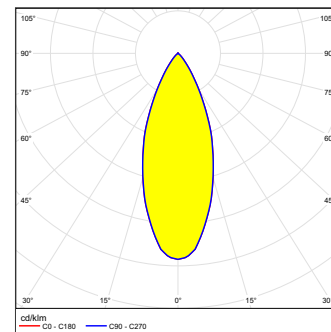
Polar chart 12° optic



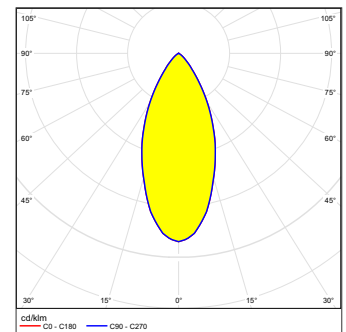
Polar chart 20° optic



Polar chart 25° optic



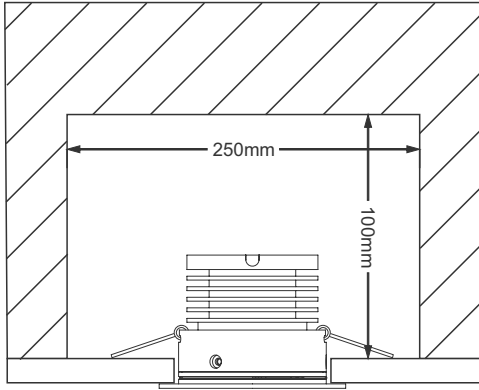
Polar chart 35° optic





# Mini Moodspot Adjustable

## Minimum Spacings



Luminaire not suitable for covering with thermal insulating materials. Allow air to flow freely around fixture.

## Connection

Maximum spots per driver is dependent on output voltage

