



The Castor LED spot is an exceptionally high performance recessed down lighter. It is a premium quality solid state lighting product precisely engineered and manufactured with state of the art technologies and materials. The Castor RGBW LED spot is capable of creating vibrant colours that can transform the visual impact of a space.

The Castor can be used in residential and commercial markets and in combination with our LED drivers the Castor LED spot is perfectly dimmable.

Features

Housing

Small design

Vivid colours

RGBW LED

Perfect dimmable

100-0%

Adjustable

20° angle

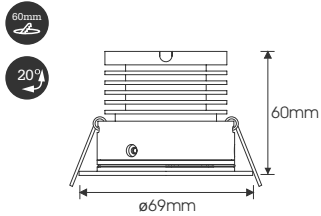
Technical specifications

LED	Colour: Lumen output:	RGBW 325 lumen
Power	Current: Consumption: Forward voltage:	4 x 700mA 9 Watt Max 3,2V
Accessories	Flanges: Flange colours:	Round White / Black
Miscellaneous	Material: Lifespan: Lenses:	Aluminium + PMMA 50.000 hour 16° / 22° / 36° / 44°
Control	External driver options:	IZI-Link / DMX512



Castor RGBW

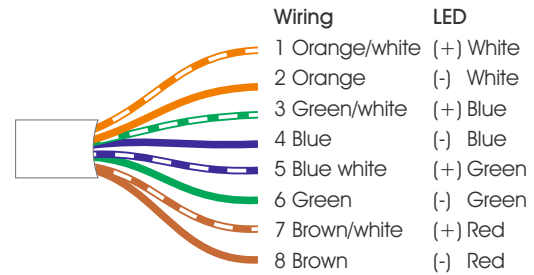
Dimensions



Wiring

Please note that the Castor RGBW led spot is a constant current LED spot (4 x 700mA).

The Castor led spot is prepared with a CAT5 cable. The wiring is as followed:



Order Code

CA.C.RO.W - Castor Recessed Adjustable Downlighter RGBW; Round Flange White
CA.C.RO.B - Castor Recessed Adjustable Downlighter RGBW; Round Flange Black

Order Code Optics

CCCC.S.36 - Lens 36° for Castor
CCCC.S.44 - Lens 44° for Castor

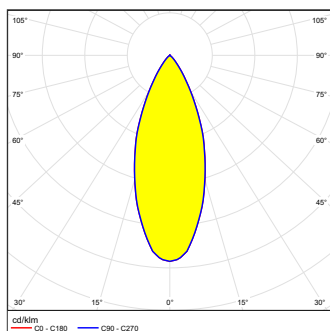
Order Code Accessoires

CA.F.RO.W - White flange for Castor round*
CA.F.RO.B - Black flange for Castor round*
100.90.40 - LD Rj45 LED splitter

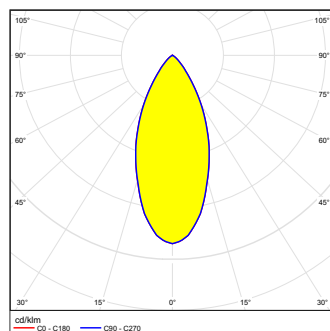
*Different flange colours available on special request

Photometric data

Polar chart 36° optic

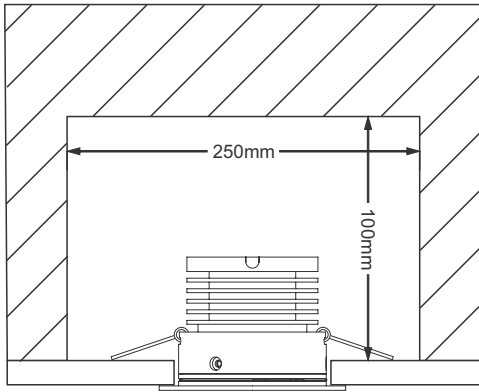


Polar chart 44° optic





Minimum Spacings



Luminaire not suitable for covering with thermal insulating materials. Allow air to flow freely around fixture.

Connection

Maximum spots per driver is dependent on output voltage

